

NOVABLADE™ PENDANT MOUNT

LL9PPK Series Novablade Mounting Accessories



Installation Extras

NovaBlade products are a fantastic light source, and while a majority of applications are in T-bar ceiling systems where they just drop into place, NovaBlade can do much more with the help of specialised mounting frames.

Suspended mounting is sometimes a good option for task areas or high ceilings. There are two models in the NovaBlade pendant mount range, one where the driver can be contained in the top canopy, and one that's smaller and neater for when the driver can be located elsewhere.

A LL9PC15 low voltage driver extension cable is included. Each kit has stainless steel hanger cables and clamps for easy levelling. Standard hanger cable length is 1M. Longer lengths available to special order.



NovaBlade Flush Mount Frame Features at a Glance

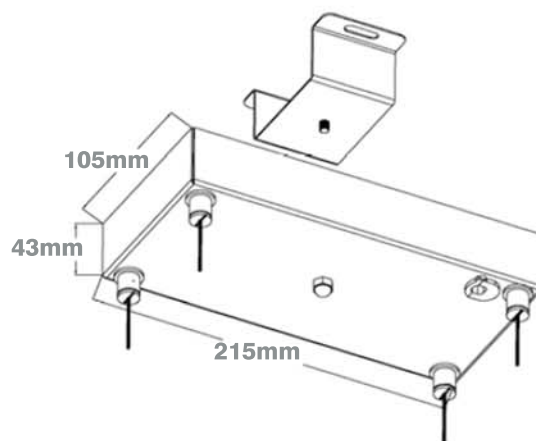
- NovaBlades can be suspended in areas of high ceiling or to improve lighting over work places
- Adjustable clamps for easy levelling
- Standard cable length 1M
- Longer cables available to special order
- Standard canopy allows driver to be mounted inside
- LL9PC15 low voltage extension cable included
- Seven Year Warranty

Physical

Canopy Length: 215mm
 Canopy Width: 105mm
 Canopy Height: 43mm
 Weight: 0.75 kg

Construction

Canopy Material: 0.8mm Zinc Anneal
 Bracket Material: 1.2mm Galvanised Steel
 Canopy Finish: White Satin Powdercoat



Catalogue Number Guide: NovaBlade Pendant Mount

Example: NovaBlade Pendant Mounting Kit **LL9PPK**

Product Group		Group Designation		Mount Fixture Type	
Light Sources	LL9	Panels	P	Pendant Mounting Kit	PK

* October 2016, Specifications subject to change without notice

