

# NOVABLADE™ SEMI FLUSH MOUNT

LL9P33SFK Series Novablade Mounting Accessories



## Installation Extras

NovaBlade products are a fantastic light source, and while a majority of applications are in T-bar ceiling systems where they just drop into place, NovaBlade can do much more with the help of specialised mounting frames.

The patented semi-flush mount is for those more awkward places where structural or other considerations make flush mounting impossible. This ingenious product provides a very tidy solution with a protrusion of just 15mm.

Just mount the base, insert the NovaBlade and close the patented sliding gate. The finished result is a protrusion of only 15mm.



## NovaBlade Flush Mount Frame Features at a Glance

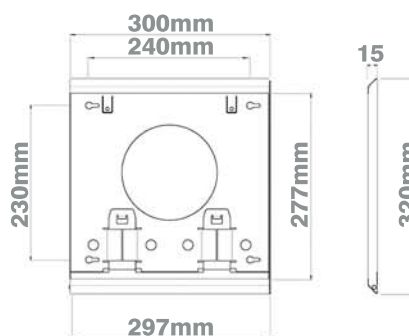
- For surface mounting NovaBlade panels where the driver can be recessed into the ceiling space
- Quick and easy installation of LUMEX LL9P33 series panels
- After fixing, the NovaBlade is inserted into the frame and secured with sliding gate and locking pins
- Finished result is a protrusion of only 15mm
- Seven Year Warranty

## Physical

Length: 300mm  
 Width: 339mm (open), 320mm (close)  
 Height: 15mm  
 Opening: 297 x 277mm  
 Weight: 0.75 kg

## Construction

Material: 0.8mm Zinc Anneal  
 Finish: White Satin Powdercoat



## Catalogue Number Guide: NovaBlade Semi Flush Mount

**Example:** NovaBlade 300mm x 300mm Semi Flush Mounting Frame **LL9P33SFK**

Product Group		Group Designation		Frame Size		Mount Fixture Type	
Light Sources	LL9	Panels	P	300 x 300	33	Semi Flush Frame	SFK

\* October 2016, Specifications subject to change without notice

