

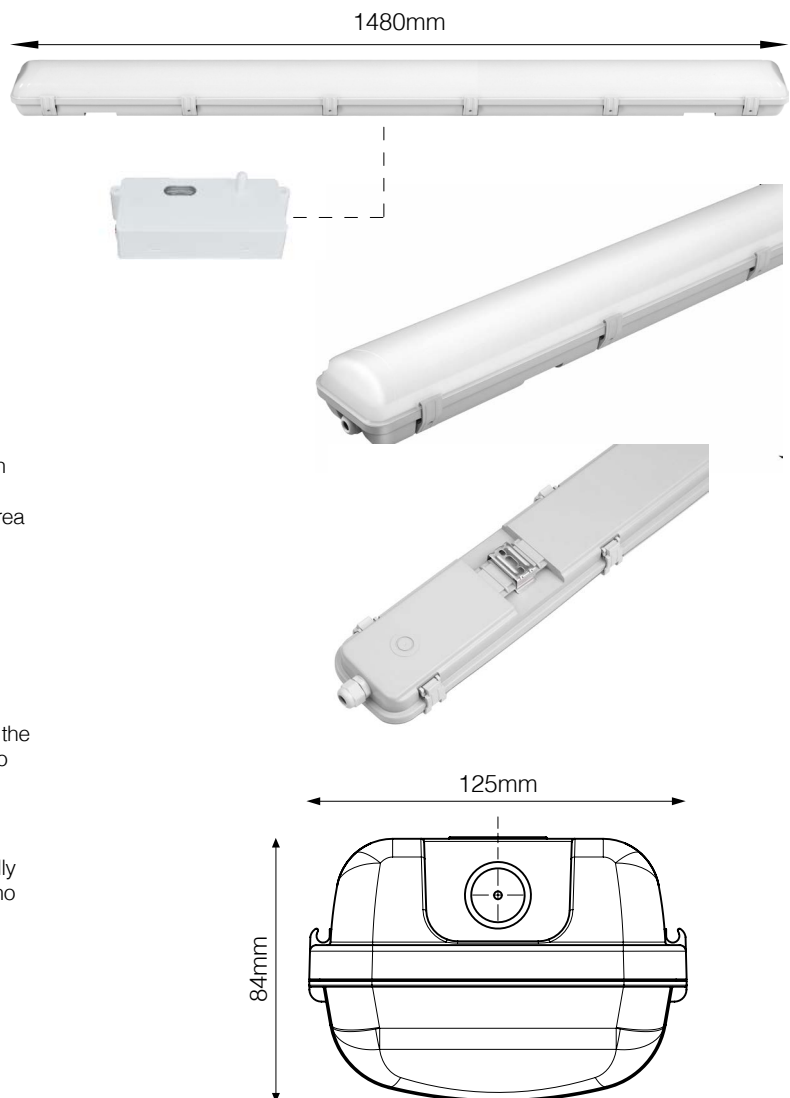
# Linear-Q™ Generation 2

LL4LQ2 Series Weatherproof Zone Control LED Battens



## Linear-Q Weatherproof Zone Control Features at a Glance

- Range: 6600Lm, 56W
- Up to 120Lm/W
- Integrated Lumex Smartsense Zone Control technology
- LM80 projected LED life > 50,000 hours
- Colour Temperatures: 6500K and 4000K
- Frosted diffuser, Beam angle 120°
- Colour rendering CRI > 80
- Grey Vandal Resistant Body
- Quick-mount clip together assembly
- Corrosion resistant nylon clips
- IP65 Protection rating
- 1-10V dimming capability as standard
- Immune to Ripple Frequency Interference
- Direct connect facility
- Fully recyclable
- Fully Australian Approved
- Seven Year Warranty



## Dimming

Linear-Q Weatherproof SmartSense Zone Control Battens have an integrated Lumex SmartSense Zone Control technology. Fixtures operate autonomously to monitor occupancy in their immediate area using highly effective microwave technology.

## Ripple Frequency Interference

Linear-Q Weatherproof SmartSense Zone Control products are immune to ripple frequency interference.

## Unrivalled Efficiency

Linear-Q Weatherproof SmartSense Zone Control products utilise the latest developments in LED and offer among the highest energy to light conversions currently available - up to 120Lm/W.

## Environment and Safety

Linear-Q Weatherproof SmartSense Zone Control products are fully recyclable with no glass to break, no dangerous chemicals, and no risk from exposed voltages.

## Catalogue Number Guide: Linear-Q Weatherproof SmartSense Zone Control

**Example:** Linear-Q Weatherproof SmartSense Zone Control, 1480mm, Output Level 2, 120° Beam Angle, 4000K, Grey Fixture **LL4LQ2WM152N**

Product Group	Group Designation	Dimmable	Size	Level	Colour Temperature	Fixture Colour			
Fixtures	LL4 Linear Q Weatherproof Zone Control	LQ2WM 1-10V Dimmable	1480mm	15	Twin	2	6500K	C6	Grey
							4000K	N	



# Linear-Q™ Generation 2

LL4LQ2 Series Weatherproof Zone Control LED Battens



## Physical

Length:	1480mm
Width:	125mm
Height:	84mm
Mounting Hole Centres:	1000mm
Weight:	2.5kg

## Control and Programming

Dimming:	1-10V
----------	-------

## Construction

Colour:	Grey
Body:	Polycarbonate
Impact Rating:	IK08
Protection Rating:	IP65

## Connection

Power Connection:	Direct connection
-------------------	-------------------

## Output

Luminous Flux 4000K:	6600Lm
Efficacy:	up to 120Lm/W
Beam Angle:	120°
CRI:	>80

## Electrical

Input Voltage:	220-240 Vac
Typical Total Power:	56W
Power Factor:	0.90

## Thermal

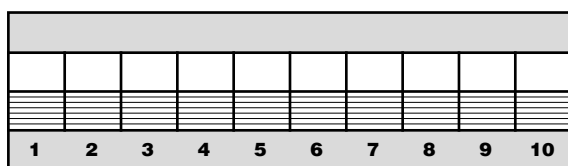
Storage Temperature:	-40°C to +80°C
Operating Range Ta:	-35°C to +50°C
Humidity (non-condensing):	10-100%

## Certificates

EMC:	AS/NZS CISPR15 (C-Tick)
Electrical Safety:	AS/NZS 60598.2.1, AS/NZS 4417 (RCM)

## Light Management Settings

Zone Control configuration is via a series of DIP switched or via remote control



1 & 2 - Sensor Range and Sensitivity (3-10m diameter)

3 & 4 - Hold time (10sec - 60min)

5 & 6 - Light Level Activation threshold (10 - 50 lux)

7 & 8 - Minimum Dim Level (50% to off)

9 & 10 - Dim to Off time (1min - 60min)

For further details refer to SmartSense Zone Control Manual

## Zone Control Specifications

Operating Voltage:	240Vac
Rated Load:	1200VA @ 240Vac
HF System:	5.8GHz
Power Consumption:	<1W (Operation)
Dim Control Output:	0-10V, max, 25mA sinking current
Detection radius/angle:	8m/360°
Mounting Height:	2.3m to 6m
Remote Range:	10m indoor
Humidity:	Max. 95% RH
Transmission Power:	<0.2mW

Specifications subject to change without notice.

