

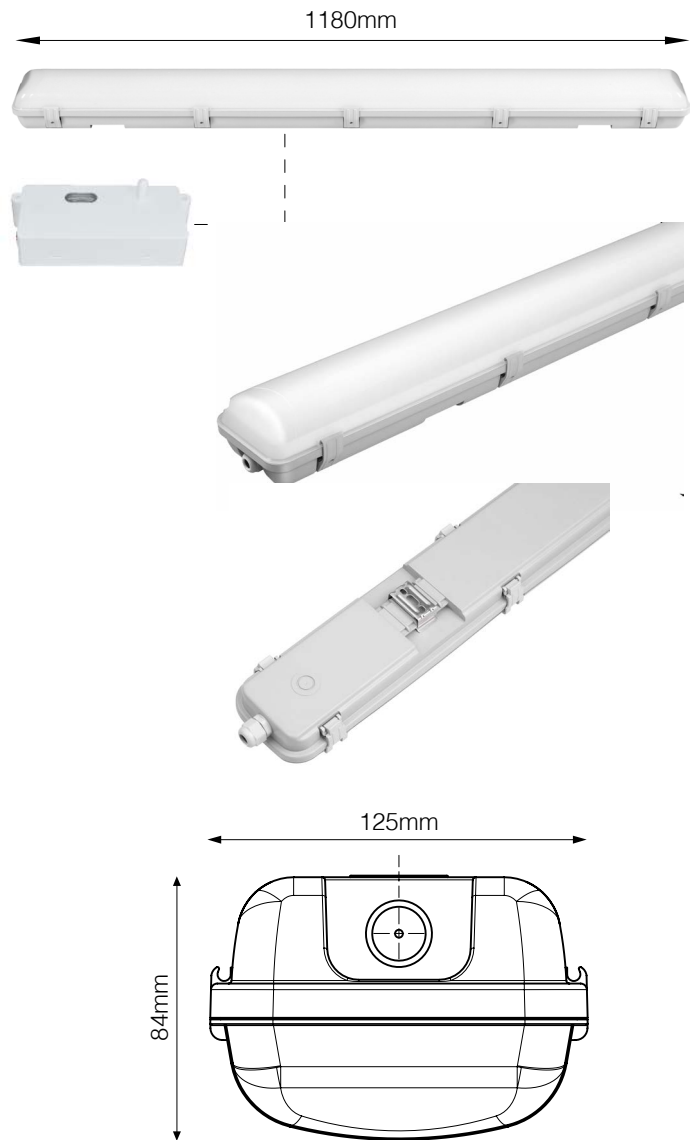
Linear-Q™ Generation 2

LL4LQ2 Series Weatherproof Zone Control LED Battens



Linear-Q Weatherproof Zone Control Features at a Glance

- Range: 4800Lm, 41W
- Up to 120Lm/W
- Integrated Lumex Smartsense Zone Control technology
- LM80 projected LED life > 50,000 hours
- Colour Temperatures: 6500K and 4000K
- Frosted diffuser, Beam angle 120°
- Colour rendering CRI > 80
- Grey Vandal Resistant Body
- Quick-mount clip together assembly
- Corrosion resistant nylon clips
- IP65 Protection rating
- 1-10V dimming capability as standard
- Immune to Ripple Frequency Interference
- Direct connect facility
- Fully recyclable
- Fully Australian Approved
- Seven Year Warranty



Dimming

Linear-Q Weatherproof SmartSense Zone Control Battens have an integrated Lumex SmartSense Zone Control technology. Fixtures operate autonomously to monitor occupancy in their immediate area using highly effective microwave technology.

Ripple Frequency Interference

Linear-Q Weatherproof SmartSense Zone Control products are immune to ripple frequency interference.

Unrivalled Efficiency

Linear-Q Weatherproof SmartSense Zone Control products utilise the latest developments in LED and offer among the highest energy to light conversions currently available - up to 120Lm/W.

Environment and Safety

Linear-Q Weatherproof SmartSense Zone Control products are fully recyclable with no glass to break, no dangerous chemicals, and no risk from exposed voltages.

Catalogue Number Guide: Linear-Q Weatherproof SmartSense Zone Control

Example: Linear-Q Weatherproof SmartSense Zone Control, 1200mm, Output Level 2, 120° Beam Angle, 4000K, Grey Fixture **LL4LQ2WM122N**

Product Group	Group Designation	Dimmable	Size	Level	Colour Temperature	Fixture Colour			
Fixtures	LL4 Linear Q Weatherproof Zone Control	LQ2WM 1-10V Dimmable	1200mm	12	Twin	2	6500K	C6	Grey
							4000K	N	



Linear-Q™ Generation 2

LL4LQ2 Series Weatherproof Zone Control LED Battens



Physical

Length:	1180mm
Width:	125mm
Height:	84mm
Mounting Hole Centres:	850mm
Weight:	2.3kg

Control and Programming

Dimming:	1-10V
----------	-------

Construction

Colour:	Grey
Body:	Polycarbonate
Impact Rating:	IK08
Protection Rating:	IP65

Connection

Power Connection:	Direct connection
-------------------	-------------------

Output

Luminous Flux 4000K:	4800Lm
Efficacy:	up to 120Lm/W
Beam Angle:	120°
CRI:	>80

Electrical

Input Voltage:	220-240 Vac
Typical Total Power:	41W
Power Factor:	0.90

Thermal

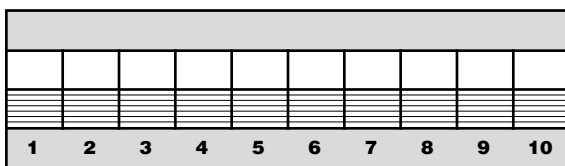
Storage Temperature:	-40°C to +80°C
Operating Range Ta:	-35°C to +50°C
Humidity (non-condensing):	10-100%

Certificates

EMC:	AS/NZS CISPR15 (C-Tick)
Electrical Safety:	AS/NZS 60598.2.1, AS/NZS 4417 (RCM)

Light Management Settings

Zone Control configuration is via a series of DIP switched or via remote control



1 & 2 - Sensor Range and Sensitivity (3-10m diameter)

3 & 4 - Hold time (10sec - 60min)

5 & 6 - Light Level Activation threshold (10 - 50 lux)

7 & 8 - Minimum Dim Level (50% to off)

9 & 10 - Dim to Off time (1min - 60min)

For further details refer to SmartSense Zone Control Manual

Zone Control Specifications

Operating Voltage:	240Vac
Rated Load:	1200VA @ 240Vac
HF System:	5.8GHz
Power Consumption:	<1W (Operation)
Dim Control Output:	0-10V, max, 25mA sinking current
Detection radius/angle:	8m/360°
Mounting Height:	2.3m to 6m
Remote Range:	10m indoor
Humidity:	Max. 95% RH
Transmission Power:	<0.2mW

Specifications subject to change without notice.

