

# Linear-Q™ Generation 2

LL4LQ2W Weatherproof Series LED Battens



## Linear-Q Weatherproof Features at a Glance

- Range: 6600Lm, 55W
- Up to 120Lm/W
- LM80 projected LED life > 50,000 hours
- Colour Temperatures: 6500K and 4000K
- Frosted diffuser, Beam angle 120°
- Colour rendering CRI > 80
- Grey Vandal Resistant Body
- Quick-mount clip together assembly
- Corrosion resistant nylon clips
- IP65 Protection rating
- 1-10V dimming capability as standard
- Immune to Ripple Frequency Interference
- Direct connect facility
- Fully recyclable
- Fully Australian Approved
- Seven Year Warranty



### Dimming

Linear-Q Weatherproof products are 1-10V dimmable. DALI dimming optional.

### Ripple Frequency Interference

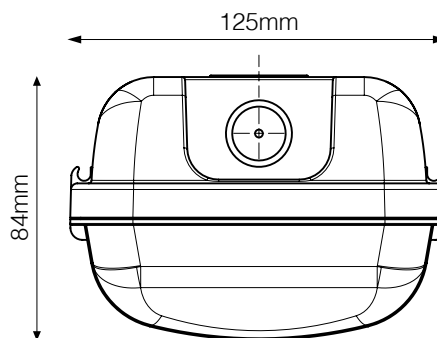
Linear-Q Weatherproof products are immune to ripple frequency interference.

### Unrivalled Efficiency

Linear-Q Weatherproof products utilise the latest developments in LED and offer among the highest energy to light conversions currently available - up to 120Lm/W.

### Environment and Safety

Linear-Q Weatherproof products are fully recyclable with no glass to break, no dangerous chemicals, and no risk from exposed voltages.



## Catalogue Number Guide: Linear-Q Weatherproof

Example: Linear-Q Weatherproof, 1480mm, Output Level 2, 120° Beam Angle, 4000K, Grey Fixture **LL4LQ2W152NW**

Product Group	Group Designation			Dimmable		Size		Level		Colour Temperature		Fixture Colour	
Fixtures	LL4	Linear Q Weatherproof	LQ2W	1-10V Dimmable		1480mm	15	Twin	2	6500K	C6	Grey	
				DALI	DD					4000K	N		



# Linear-Q™ Generation 2

LL4LQ2W Weatherproof Series LED Battens



## Physical

Length:	1480mm
Width:	125mm
Height:	84mm
Mounting Hole Centres:	1000mm
Weight:	2.5kg

## Control and Programming

Dimming:	1-10V
----------	-------

## Construction

Colour:	Grey
Body:	Polycarbonate
Impact Rating:	IK08
Protection Rating:	IP65

## Connection

Power Connection:	Direct connection
-------------------	-------------------

## Output

Luminous Flux 4000K:	6600Lm
Efficacy:	up to 120Lm/W
Beam Angle:	120°
CRI:	>80

## Electrical

Input Voltage:	220-240 Vac
Typical Total Power:	55W
Power Factor:	0.90

## Thermal

Storage Temperature:	-40°C to +80°C
Operating Range Ta:	-35°C to +50°C
Humidity (non-condensing):	10-100%

## Certificates

EMC:	AS/NZS CISPR15 (C-Tick)
Electrical Safety:	AS/NZS 60598.2.1, AS/NZS 4417 (RCM)

Specifications subject to change without notice.

