

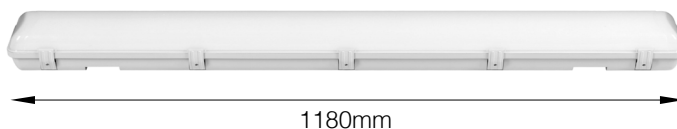
# Linear-Q™ Generation 2

LL4LQ2W Weatherproof Series LED Battens



## Linear-Q Weatherproof Features at a Glance

- Range: 2400Lm, 20W
- Up to 120Lm/W
- LM80 projected LED life > 50,000 hours
- Colour Temperatures: 6500K and 4000K
- Frosted diffuser, Beam angle 120°
- Colour rendering CRI > 80
- Grey Vandal Resistant Body
- Quick-mount clip together assembly
- Corrosion resistant nylon clips
- IP65 Protection rating
- 1-10V dimming capability as standard
- Immune to Ripple Frequency Interference
- Direct connect facility
- Fully recyclable
- Fully Australian Approved
- Seven Year Warranty



### Dimming

Linear-Q Weatherproof products are 1-10V dimmable. DALI dimming optional.

### Ripple Frequency Interference

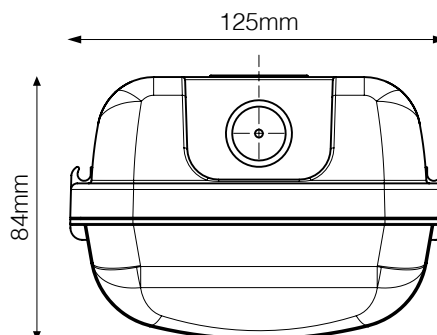
Linear-Q Weatherproof products are immune to ripple frequency interference.

### Unrivalled Efficiency

Linear-Q Weatherproof products utilise the latest developments in LED and offer among the highest energy to light conversions currently available - up to 120Lm/W.

### Environment and Safety

Linear-Q Weatherproof products are fully recyclable with no glass to break, no dangerous chemicals, and no risk from exposed voltages.



## Catalogue Number Guide: Linear-Q Weatherproof

Example: Linear-Q Weatherproof, 1180mm, Output Level 1, 120° Beam Angle, 4000K, Grey Fixture **LL4LQ2W121NW**

Product Group	Group Designation		Dimmable		Size		Level		Colour Temperature		Fixture Colour	
Fixtures	LL4	Linear Q Weatherproof	LQ2W	1-10V Dimmable		1180mm	12	Single	1	6500K	C6	Grey
				DALI	DD					4000K	N	



